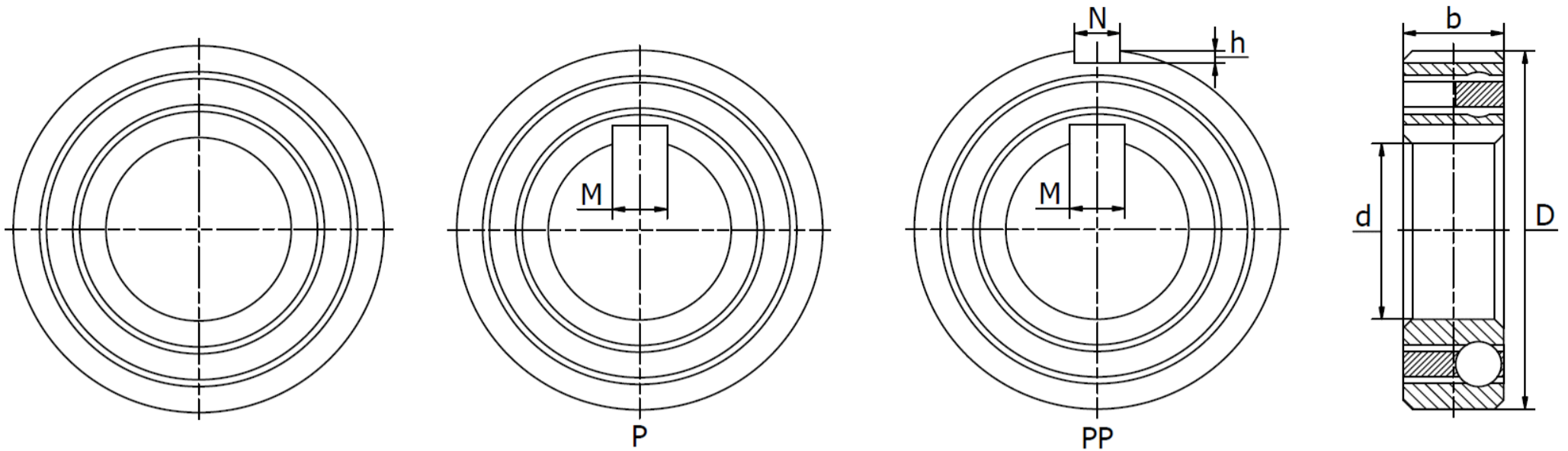


KK .. Series - One Way Clutch

Sprag type clutch, available with rubber lips seals (2RS) and keyways in the inner ring (P) and both inner and outer rings (PP). All clutches are with C3 clearance.



Item No.	Dimensions (mm)						Bearing Series	Torque Capacity Nm	Overrunning Speed RPM	Bearing Loads (kN)		Weight kg	Resistance Ncm
	d (-0,01)	D (h5)	b	N (JS9)	M	h				Dynamic C	Static C ₀		
KK8	8	22	9	-	-	-	-	2	15.000	3,28	0,86	0,015	0,5
KK12	12	32	10	-	4 x 1,8	-	6201	7,4	10.000	6,10	2,77	0,040	0,7
KK15	15	35	11	2	5 x 1,2	0,6	6202	13,5	8.400	7,40	3,42	0,060	0,9
KK17	17	40	12	2	5 x 1,2	1	6203	24,5	7.350	7,90	3,80	0,070	1,1
KK20	20	47	14	3	6 x 1,6	1,5	6204	40	6.000	9,40	4,46	0,110	1,3
KK25	25	52	15	6	8 x 2	2	6205	68	5.200	10,70	5,46	0,140	2,0
KK30	30	62	16	6	8 x 2	2	6206	110	4.200	11,70	6,45	0,210	4,4
KK35	35	72	17	8	10 x 2,4	2,5	6207	140	3.600	12,60	7,28	0,300	5,8
KK40	40	80	22	10	12 x 2,2	3	-	260	3.000	15,54	12,25	0,500	7,0
KK8.2RS*	8	22	9	-	-	-	-	2	15.000	3,28	0,86	0,015	0,8
KK12.2RS	12	32	14	-	4 x 1,8	-	-	7,4	10.000	6,10	2,77	0,050	3,0
KK15.2RS	15	35	16	2	5 x 1,2	0,6	-	13,5	8.400	7,40	3,42	0,070	4,0
KK17.2RS	17	40	17	2	5 x 1,2	1	-	24,5	7.350	7,90	3,80	0,090	5,6
KK20.2RS	20	47	19	3	6 x 1,6	1,5	-	40	6.000	9,40	4,46	0,145	6,0
KK25.2RS	25	52	20	6	8 x 2	2	-	68	5.200	10,70	5,46	0,175	6,0
KK30.2RS	30	62	21	6	8 x 2	2	-	110	4.200	11,70	6,45	0,270	7,5
KK35.2RS	35	72	22	8	10 x 2,4	2,5	-	140	3.600	12,60	7,28	0,400	8,2
KK40.2RS	40	80	27	10	12 x 2,2	3	-	260	3.000	15,54	12,25	0,600	10,0

* KK8.2RS is only equipped with one rubber seal on the ball bearing side.

The KK type one way clutch are grease lubricated and sealed against coarse dirt (>0,3 mm). Permissible operating temperatures are from -40°C to +120°C. It is recommended to use additional sealing when operating temperatures rise above 50°C. The 2RS types come with an integrated rubber lip seal for better dirt and moisture protection, they are a bit wider to accommodate for the seals.

To prevent the inner ring and outer ring from slipping during the backstop operation, they have to be mounted with a firm press fit. We recommend a N6 tolerance for the housing and a n6 tolerance for the shaft. KK one way clutches are also available with slots for keyway locking, add suffix P after the item no. size for a single keyway in the inner ring. For a keyway in both the outer and inner ring, add the suffix PP.

P models are available from size 12 and up, PP models are available from size 15 and up.

I.e.: KK25PP.2RS for a KK bearing with slot in inner ring and outer ring plus 2RS rubber seals.

For the P models, use a k6 tolerance for the shaft. For PP models, use a k6 tolerance for the shaft, and K6 for the housing. A light press fit assembly is also possible with the PP series, use a h6 tolerance for the shaft and a H6 tolerance for the housing.

The inner ring keyway slots are suitable for DIN 6885-3 keys.